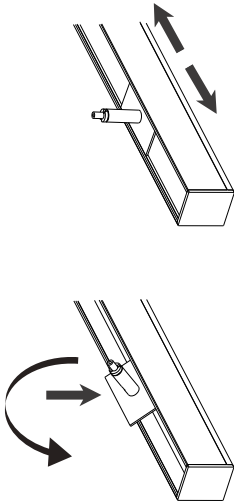


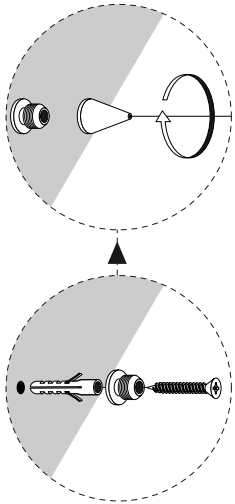
1 FIX CABLE HOLDER

Push down and turn into backside of profile.

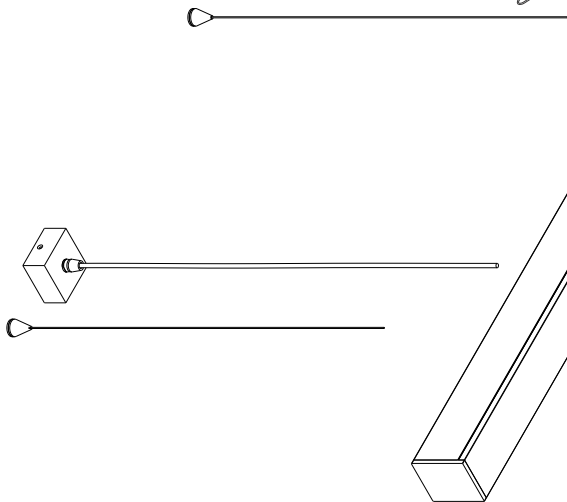
It is still possible to position the cable holder, except where the converter and connector are located.



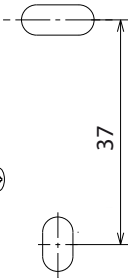
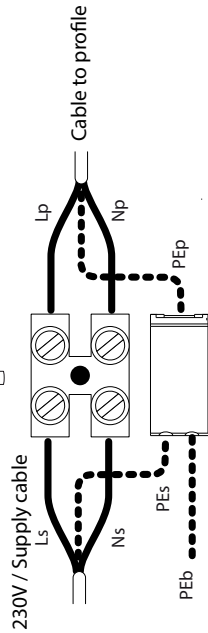
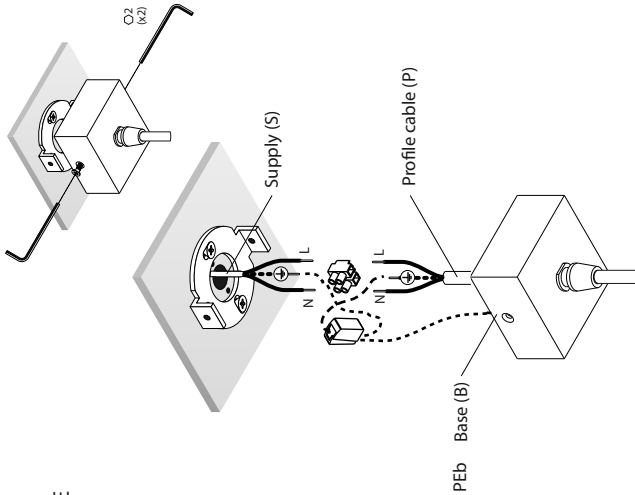
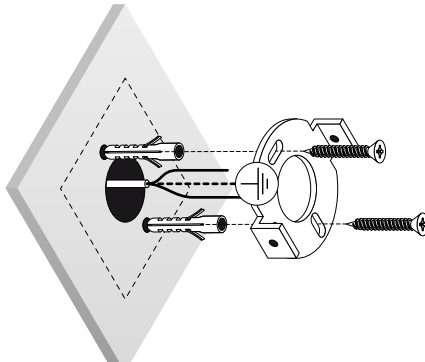
2 FIX THE ADJUSTERS AND STEEL CABLES



4 SUSPEND PROFILE AND CONNECT POWER SUPPLY.



3 MOUNTING THE BASE

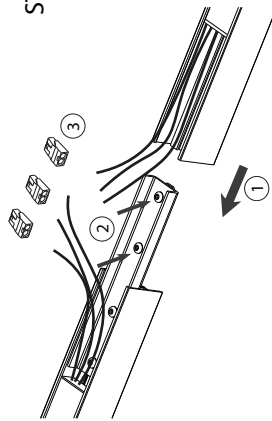


Connect power supply, 5P is for dimmable.

Now you can turn on the power supply.

STRAIGHT CONNECTION (only needed to connect 2 profiles)

- 1 Slide profile in straight connection.
2 Fix with screws.
3 Cut the cables to the desired length and connect the same colours. Use the included Wago connectors. Spread connectors in the available space.
4 Finish with soft band and transparent cover.



NOTE: THE USER MUST READ THE INSTRUCTIONS CAREFULLY BEFORE USING THE LAMP. THE USER MUST READ THE INSTRUCTIONS CAREFULLY BEFORE USING THE LAMP. THE USER MUST READ THE INSTRUCTIONS CAREFULLY BEFORE USING THE LAMP.